



WHYNTER Eco Pure Personal Air Purifier

MODEL# : PAF-101

Instruction Manual



Thank you for your purchase of this WHYNTER product. Please read this Instruction Manual carefully before using the product to ensure optimal performance. Keep this manual in a safe place for future reference.

TABLE OF CONTENTS

Important Safety Instructions.....	3
Technical Data.....	4
Parts Overview.....	4
Purification Technology.....	5
Installation	6
Filter & Scent Maintenance.....	6-7
Care and Maintenance.....	8
Troubleshooting.....	8
Warranty	9



Important Safety Instructions

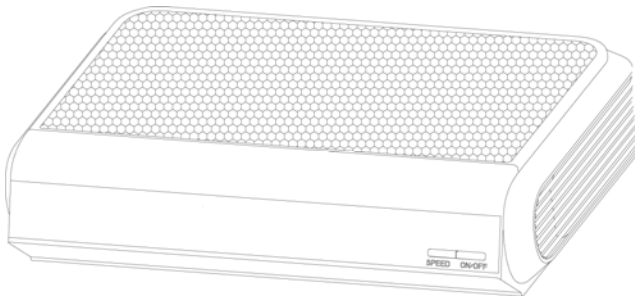
To reduce the risk of fire, electrical shock, or injury when using your appliance, follow these basic precautions:

1. Place the appliance on hard and level surfaces where it can not be easily knocked down.
2. Do not use if the power supply cord is damaged. If damaged, it must be replaced by a qualified electrician.
3. This appliance is not intended for use by young children or physically-challenged persons without supervision/assistance. Young children must be supervised to ensure safety around this or any appliance.
4. Always switch off and unplug the appliance when replacing filters, cleaning, moving or not in use.
5. Keep the appliance away from any heat source, direct sunlight or area with excessive moisture such as bathroom and kitchen.
6. This air purifier is an electrical appliance. To avoid injury from electrical shock do not operate the appliance with wet hands, while standing on a wet surface or while standing in water. Do not use outdoors or in wet conditions.
7. Avoid placing any objects on top of the appliance.
8. Never pull the cord to disconnect it from the power outlet. Grasp the plug and pull it from the outlet.
9. Never lift or carry the appliance by the power cord.
10. This appliance is designed for household, non-commercial use only. Any other use will void the warranty
11. Do not try to disassemble, modify or repair the appliance by yourself.
12. Do not use the appliance upside down or its side.
13. Do not block the air intake and air outlet.
14. When positioning the appliance, ensure that there is at least a 6" clearance around the appliance. This allows for adequate ventilation.
15. If used with a humidifier, please keep this appliance away from the humidifier.
16. Never use harsh detergents or solvents to clean the appliance.
17. Do not operate the appliance without installing the filters.
18. Do not wash and reuse the Whynter HEPA filter. HEPA filters should only be replaced, not cleaned.

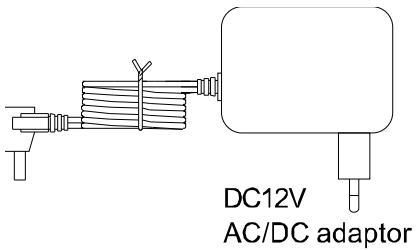
Technical Data

Product size	11"L x 11"D x 2.6"H
Input voltage	AC 100-240V / DC12V
Airflow	High: 45m ³ /h / 26.5cfm Low: 25m ³ /h / 15cfm
Air Purification System	Pre-filter Activated carbon filter HEPA filter Photocatalyst filter UV Lamp
Weight	2.5 lbs
Noise	<45db
Power	8W
Coverage Area	150 Sq. Ft.

PARTS OVERVIEW



Main Unit

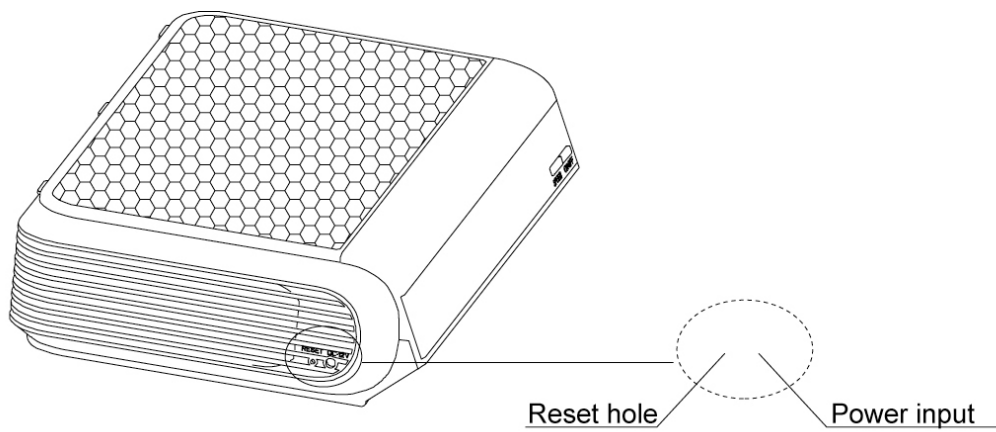
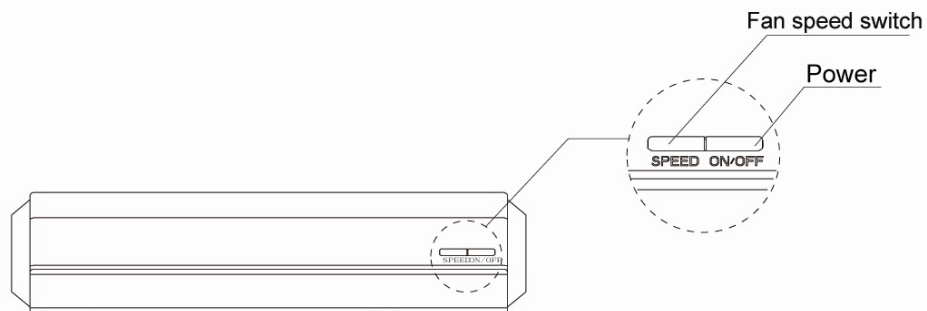
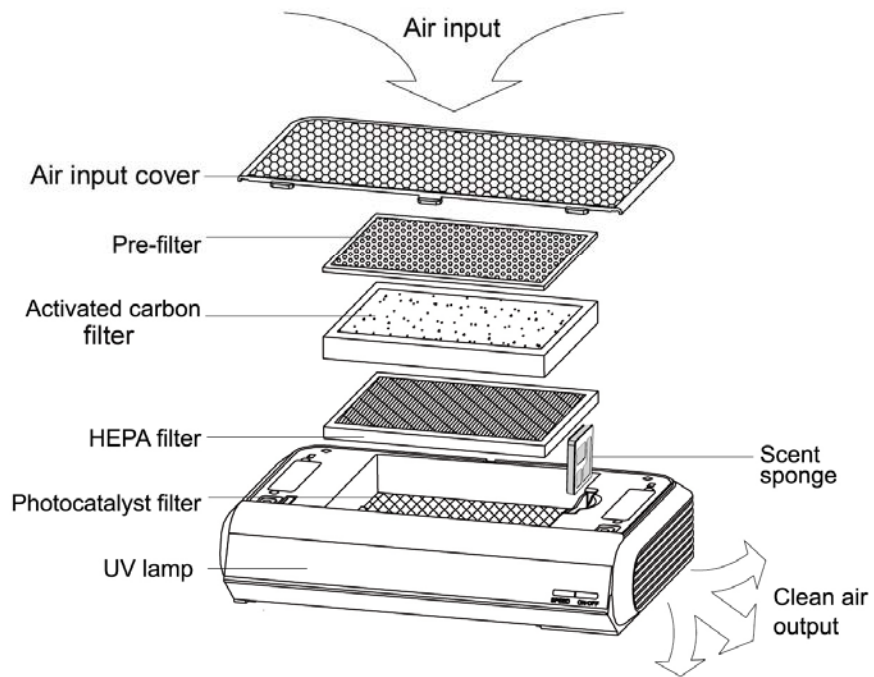


DC12V
AC/DC adaptor



Magic tape

High efficiency 5 layer purification technology

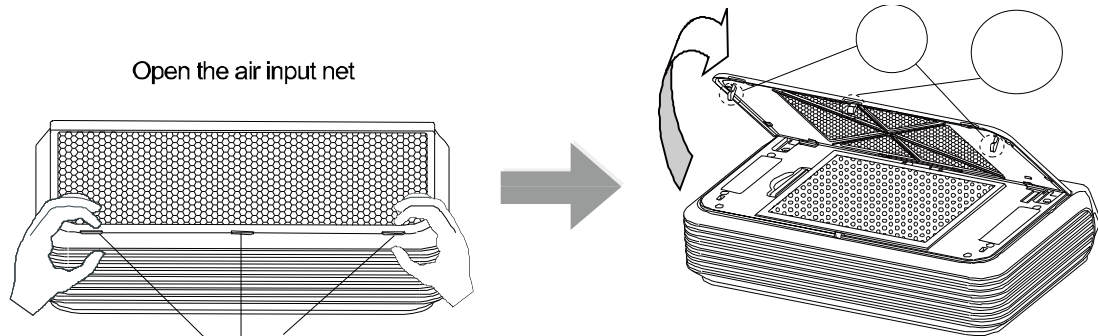


ONE TOUCH OPERATION

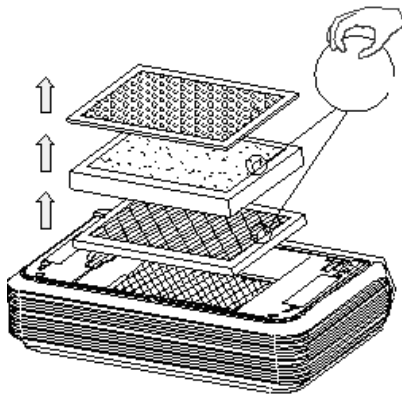
ON/OFF: Turns the air purifier on and off. When the air purifier is on, the green light comes on. When the air purifier is off, no light comes on.

SPEED: The default fan speed is Low (green light). Press the SPEED button to change to High fan speed (red light). Press the SPEED button again to change the fan speed to LOW (green light).

FILTER & SCENT MAINTENANCE



Lift up the three hinges at the back of the air input cover and pull it backward to remove the cover.



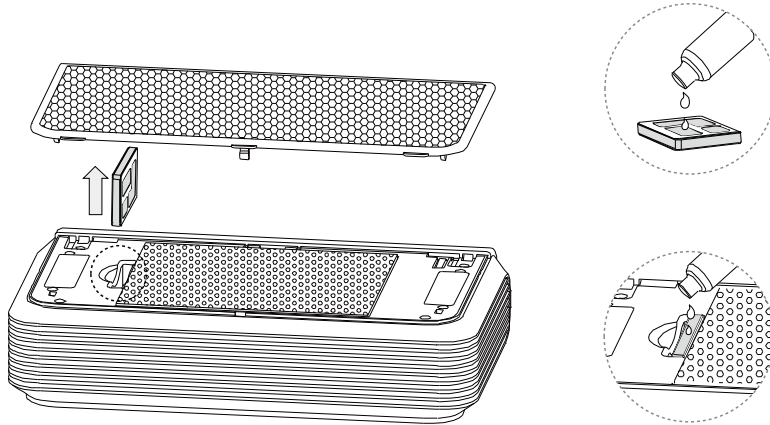
Pre-filter: Remove the washable pre-filter. Rinse the pre-filter in warm water. Do not wash it in a washing machine or dish washer. Do not use water hotter than 100F degree. When the pre-filter is completely dry, place it back to the air purifier.

Activated Carbon Filter & HEPA Filter: Remove the Activated carbon filter and the HEPA filter and replace with new ones. The Activated carbon filter and HEPA filter needs to be replaced every 2,000 working hours. The higher level of pollutants, the

shorter the lifespan of the filter. Dispose of the old HEPA and carbon filters and do not reuse. Please contact Whynter's service department at service@whynter.com to order replacement filters.

Photo catalyst filter: The Photo catalyst filter needs to be replaced after 6 months of working hours. Please contact Whynter's service department at service@whynter.com to order replacement filters.

Scent replenishment: Remove the scent sponge, drop one to two drops of your favorite scented oil to the sponge and put it back into the unit.



CLEANING & MAINTENANCE

The surface of the air purifier should be cleaned at least once a month or more often depending on the air quality.

- Use a clean, dry cloth to wipe the external surfaces.
- Use a damp cloth to remove stubborn stains and dirt build up.
- Clean the air inlets and outlet with a dry cloth or a vacuum cleaner.
- When dismounting or mounting the front cover, please be careful not to break the hinge.

Service time of each filters are as follows:

Pre-filter: 1500 hours

Activated carbon filter: 2000 hours

HEPA filter: 2000 hours

Photo catalyst filter: 4500 hours

UV lamp: The average service life of UV lamp is 3-5 years. Do not replace the UV lamp on your own, it should only be changed by a qualified technician.

Scent freshener: Add scent as desired.

TROUBLESHOOTING

Trouble	Check list	Solution
Unit does not start	There is a power supply failure The air input cover is installed properly	Ensure the air purifier's power supply is <u>securely</u> in the unit and the power outlet has power Install the cover properly
The air purifier is noisy and vibrates	The unit is not level	Ensure the unit sits on a hard and level surface. Do not place the unit on carpets.
Odor and smoke are not removed	Filters are dirty The unit is unable to circulate air	Clean or replace filters Install unit in a place where air is able to circulate
Air does not flow from the unit	Air inlets maybe obstructed	Ensure the air inlets are not obstructed

ONE YEAR LIMITED WARRANTY

This WHYNTER air purifier is warranted, to the original owner within the 48 continental states, for one year from the date of purchase against defects in material and workmanship under normal use and service. Should your WHYNTER air purifier prove defective within one year from the date of purchase, return the defective part or unit, freight prepaid (within two months of purchase; after two months to one year, customer will be responsible for freight cost to Whynter's service department), along with an explanation of the claim to Whynter LLC. Please package the air purifier carefully in its original packaging material to avoid damage in transit. Please retain the original box and packaging material. Under this warranty, Whynter will repair or replace any parts found defective. This warranty is not transferable. After the expiration of the warranty, the cost of labor and parts will be the responsibility of the original owner of the unit.

THIS WARRANTY DOES NOT COVER:

- Filters
- Acts of God, such as fire, flood, hurricanes, earthquakes and tornadoes.
- Damage, accidental or other wise, to the air purifier while in the possession of a consumer not caused by a defect in material or workmanship;
- Damage caused by consumer misuse, tampering, or failure to follow the care and special handling provisions in the instructions.
- Damage to the finish of the case, or other appearance parts caused by wear.
- Damage caused by repairs or alterations to the air purifier by anyone other than authorized by the manufacturer.
- Freight and Insurance cost for the warranty service.

To obtain service or information, contact

Whynter LLC via Email at service@whynter.com or

call 866-WHYNTER.